

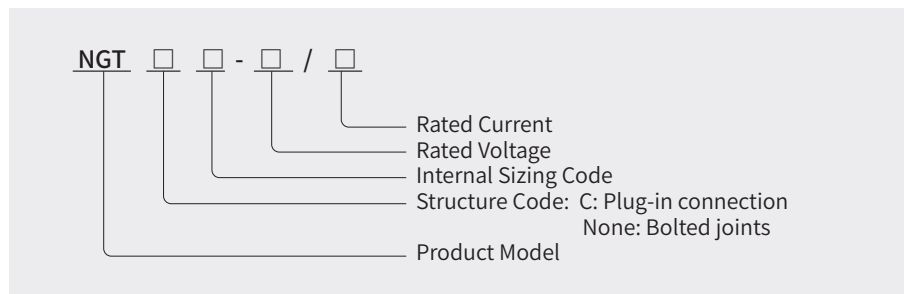
NGTC Fuse for Semiconductor Equipment Protection



Product Description

This series of fuses for semiconductor equipment protection is suitable for AC systems with rated voltages of 400V, 690V, and 1000V. They are used for short-circuit protection of semiconductor components and their associated complete sets of equipment.

Model and meaning



Ordering Instructions

When placing an order, the user shall provide the following information:

The specifications and models, rated current, rated voltage, and number of fuses used for the protection of NGTC series semiconductor equipment shall be specified.

For example: NGTC3-1000/630A 10pcs

Normal working conditions

1. Ambient air temperature: the ambient air temperature does not exceed 40 °C, the average value measured in 24 hours does not exceed 35°C, and the average value measured within one year is lower than this value. The minimum ambient air temperature is -5°C.
2. Altitude: The altitude of the installation site shall not exceed 2000m.
3. Atmospheric conditions: the air is clean, and its relative humidity does not exceed 50% at the maximum temperature of 40°C, and can have higher relative humidity at lower temperatures, for example, at 20°C, the relative humidity can reach 90%. Under these conditions, moderate condensation may occasionally occur due to temperature changes.

NGTC000 Fuse for Semiconductor Equipment Protection

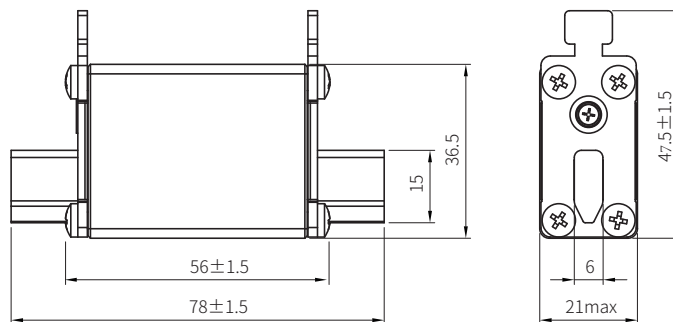


Rated Voltage	690V AC
Rated Current	10~315A
Protection Category	aR
Breaking Capacity	100kA
Reference Standard	GB/T 13539.4 IEC 60269-4
Certification Marks	CCC CE TUV

Product parameter

Model No.	Size	Rated Voltage V	Rated Current A	Rated Breaking Capacity kA
NGTC000-10A			10	
NGTC000-16A			16	
NGTC000-20A			20	
NGTC000-25A			25	
NGTC000-32A			32	
NGTC000-40A			40	
NGTC000-50A			50	
NGTC000-63A	000	690	63	100
NGTC000-80A			80	
NGTC000-100A			100	
NGTC000-125A			125	
NGTC000-160A			160	
NGTC000-200A			200	
NGTC000-250A			250	
NGTC000-315A			315	

Overall dimensions (mm)



NGTC00

Fuse for Semiconductor Equipment Protection

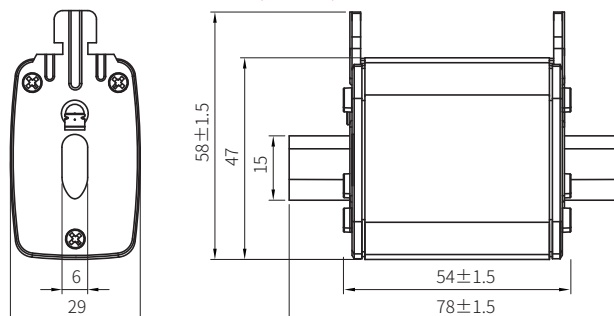


Rated Voltage	400V AC, 690V AC / 800V AC
Rated Current	10~160A
Protection Category	aR
Breaking Capacity	100kA
Reference Standard	GB/T 13539.4 IEC 60269-4
Certification Marks	CCC CE

Product parameter

Model No.	Size	Rated Voltage V	Rated Current A	Rated Breaking Capacity kA
NGTC00-400/10A			10	
NGTC00-400/16A			16	
NGTC00-400/20A			20	
NGTC00-400/25A			25	
NGTC00-400/32A			32	
NGTC00-400/40A	00	400	40	100
NGTC00-400/50A			50	
NGTC00-400/63A			63	
NGTC00-400/80A			80	
NGTC00-400/100A			100	
NGTC00-400/125A			125	
NGTC00-400/160A			160	
NGTC00-690/10A			10	
NGTC00-690/16A			16	
NGTC00-690/20A			20	
NGTC00-690/25A			25	
NGTC00-690/32A			32	
NGTC00-690/40A	00	800	40	100
NGTC00-690/50A			50	
NGTC00-690/63A			63	
NGTC00-690/80A			80	
NGTC00-690/100A			100	
NGTC00-690/125A			125	
NGTC00-690/160A			160	
NGTC00-800/10A			10	
NGTC00-800/16A			16	
NGTC00-800/20A			20	
NGTC00-800/25A			25	
NGTC00-800/32A			32	
NGTC00-800/40A	00	800	40	100
NGTC00-800/50A			50	
NGTC00-800/63A			63	
NGTC00-800/80A			80	
NGTC00-800/100A			100	
NGTC00-800/125A			125	
NGTC00-800/160A			160	

Overall dimensions (mm)



NGTC1 Fuse for Semiconductor Equipment Protection

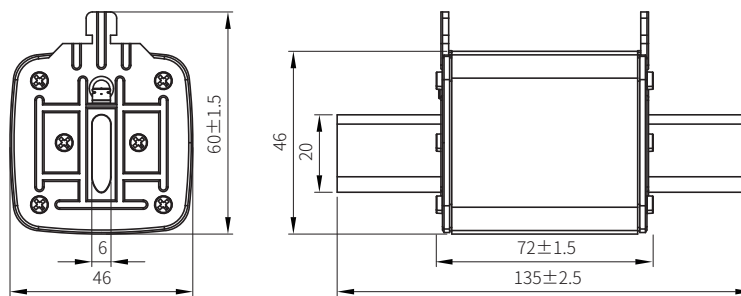


Rated Voltage	400V AC, 690V AC, 1000V AC
Rated Current	63~250A
Protection Category	aR
Breaking Capacity	100kA
Reference Standard	GB/T 13539.4 IEC 60269-4
Certification Marks	CCC CE

Product parameter

Model No.	Size	Rated Voltage V	Rated Current A	Rated Breaking Capacity kA
NGTC1-400/63A	1	400	63	100
NGTC1-400/80A			80	
NGTC1-400/100A			100	
NGTC1-400/125A			125	
NGTC1-400/160A			160	
NGTC1-400/200A			200	
NGTC1-400/250A			250	
NGTC1-690/63A	1	690	63	100
NGTC1-690/80A			80	
NGTC1-690/100A			100	
NGTC1-690/125A			125	
NGTC1-690/160A			160	
NGTC1-690/200A			200	
NGTC1-690/250A			250	
NGTC1-1000/63A	1	1000	63	100
NGTC1-1000/80A			80	
NGTC1-1000/100A			100	
NGTC1-1000/125A			125	
NGTC1-1000/160A			160	
NGTC1-1000/200A			200	
NGTC1-1000/250A			250	

Overall dimensions (mm)



NGTC2

Fuse for Semiconductor Equipment Protection

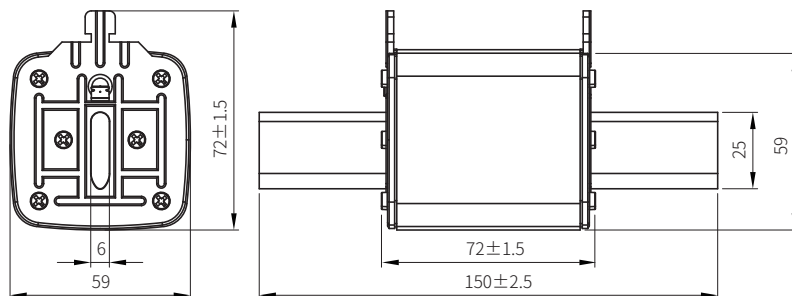


Rated Voltage	400V AC, 690V AC, 1000V AC
Rated Current	160~400A
Protection Category	aR
Breaking Capacity	100kA
Reference Standard	GB/T 13539.4 IEC 60269-4
Certification Marks	CCC CE

Product parameter

Model No.	Size	Rated Voltage V	Rated Current A	Rated Breaking Capacity kA
NGTC2-400/160A	2	400	160	100
NGTC2-400/200A			200	
NGTC2-400/250A			250	
NGTC2-400/280A			280	
NGTC2-400/315A			315	
NGTC2-400/355A			355	
NGTC2-400/400A			400	
NGTC2-690/160A	2	690	160	100
NGTC2-690/200A			200	
NGTC2-690/250A			250	
NGTC2-690/280A			280	
NGTC2-690/315A			315	
NGTC2-690/355A			355	
NGTC2-690/400A			400	
NGTC2-1000/160A	2	1000	160	100
NGTC2-1000/200A			200	
NGTC2-1000/250A			250	
NGTC2-1000/280A			280	
NGTC2-1000/315A			315	
NGTC2-1000/355A			355	
NGTC2-1000/400A			400	

Overall dimensions (mm)



NGTC3

Fuse for Semiconductor Equipment Protection



Rated Voltage	400V AC, 690V AC, 1000V AC
Rated Current	200~800A
Protection Category	aR
Breaking Capacity	100kA
Reference Standard	GB/T 13539.4 IEC 60269-4
Certification Marks	CCC CE TUV

Product parameter

Model No.	Size	Rated Voltage V	Rated Current A	Rated Breaking Capacity kA			
NGTC3-400/200A	3	400	200	100			
NGTC3-400/250A			250				
NGTC3-400/280A			280				
NGTC3-400/315A			315				
NGTC3-400/355A			355				
NGTC3-400/400A			400				
NGTC3-400/450A			450				
NGTC3-400/500A			500				
NGTC3-400/560A			560				
NGTC3-400/630A			630				
NGTC3-400/710A			710				
NGTC3-400/800A			800				
NGTC3-690/400A	3	690	400	100			
NGTC3-690/450A			450				
NGTC3-690/500A			500				
NGTC3-690/560A			560				
NGTC3-690/630A			630				
NGTC3-690/710A			710				
NGTC3-690/800A			800				
NGTC3-690/630A			630				
NGTC3-690/710A			710				
NGTC3-690/800A			800				
NGTC3-1000/200A			3		1000	200	100
NGTC3-1000/250A						250	
NGTC3-1000/280A	280						
NGTC3-1000/315A	315						
NGTC3-1000/355A	355						
NGTC3-1000/400A	400						
NGTC3-1000/450A	450						
NGTC3-1000/500A	500						
NGTC3-1000/560A	560						
NGTC3-1000/630A	630						

Overall dimensions (mm)

