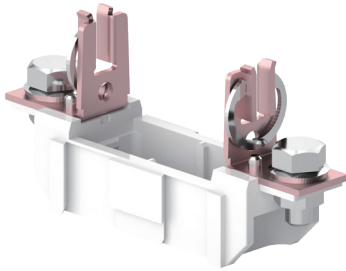
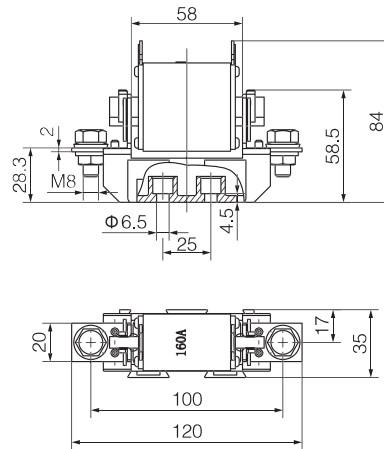


DNF1 Fuse Holder

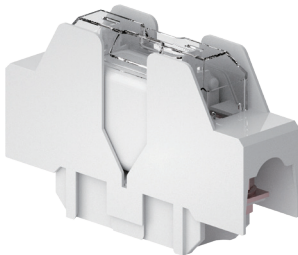


Item No.:DN56300
Product Model:DNF1-00

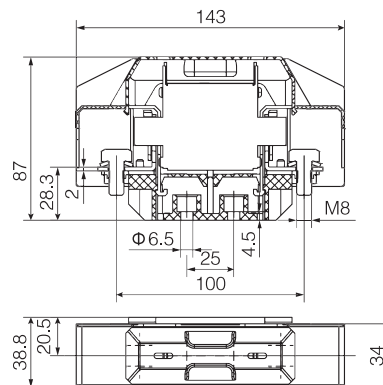
Rated Current I_n	160A
Rated Voltage U_n	690V AC/440V DC
Rated Insulation Voltage U_i	1000V
Rated Impulse Withstand Voltage U_{imp}	6kV
Breaking Capacity(with Fuse)	120kA(500VAC)/50kA(690VAC)/100kA(440VDC)
Fuse Size	00/000
Feature	1P, without touch protection device
Type	Fixed Type
Reference standard	IEC 60269-2 GB/T 13539.2



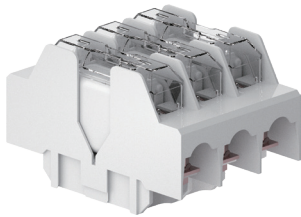
Order No.:DN56301
Model No.:DNF1-00



Rated current I_n	160A
Rated voltage U_n	690V AC/440V DC
Rated Insulation Voltage U_i	1000V
Rated impulse withstand voltage U_{imp}	6kV
Break capacity (with fuse link)	120kA(500VAC)/50kA(690VAC)/100kA(440VDC)
Fuse link size	00/000
Feature	1 pole ,with protective cover
Type	Fixed Type
Reference standard	IEC 60269-2 GB/T 13539.2

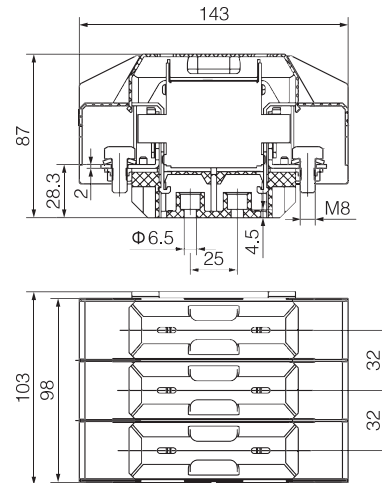


DNF1 Fuse Holder

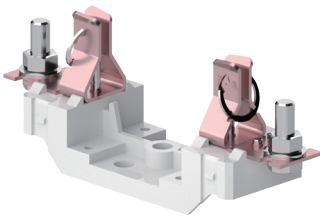


Order No.:DN56302
Model No.:DNF1-00

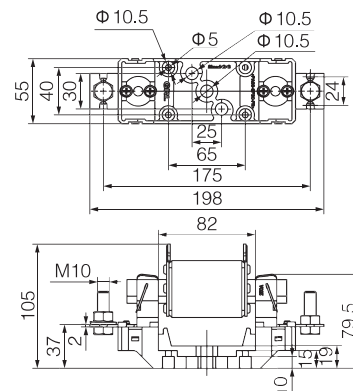
Rated current I_n	160A
Rated voltage U_n	690V AC/440V DC
Rated Insulation Voltage U_i	1000V
Rated impulse withstand voltage U_{imp}	6kV
Break capacity (with fuse link)	120kA(500VAC)/50kA(690VAC)/100kA(440VDC)
Fuse link size	00/000
Feature	3 pole, with protective cover
Type	Fixed Type
Reference standard	IEC 60269-2 GB/T 13539.2



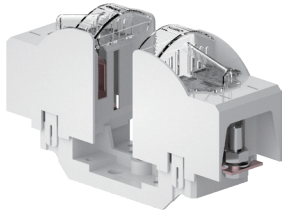
Order No.:DN56310
Model No.:DNF1-1



Rated current I_n	160A
Rated voltage U_n	690V AC/440V DC
Rated Insulation Voltage U_i	1000V
Rated impulse withstand voltage U_{imp}	6kV
Break capacity (with fuse link)	120kA(500VAC)/50kA(690VAC)/100kA(440VDC)
Fuse link size	1
Feature	1 pole, without protective cover
Type	Fixed Type
Reference standard	IEC 60269-2 GB/T 13539.2

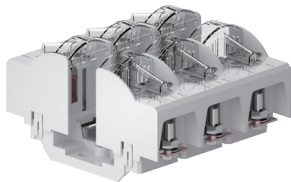
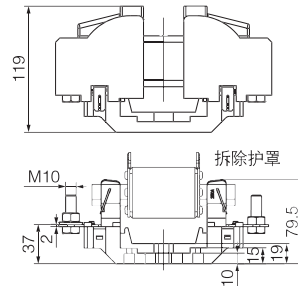
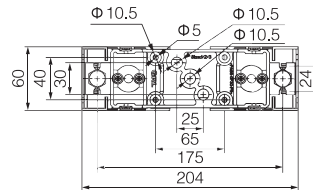


DNF1 Fuse Holder



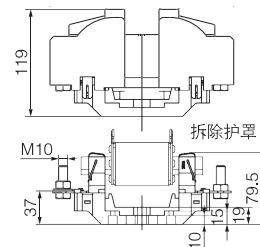
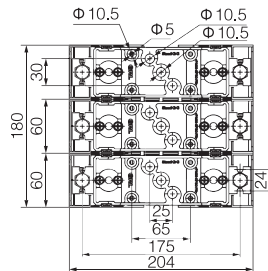
Order No.:DN56311
Model No.:DNF1-1

Rated current I_n	250A
Rated voltage U_n	690V AC/440V DC
Rated Insulation Voltage U_i	1000V
Rated impulse withstand voltage U_{imp}	6 kV
Break capacity (with fuse link)	120kA(500VAC)/50kA(690VAC)/100kA(440VDC)
Fuse link size	1
Feature	1pole ,with protective cover
Type	Fixed Type
Reference standard	IEC 60269-2 GB/T 13539.2

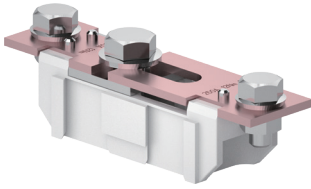


Order No.:DN56312
Model No.:DNF1-1

Rated current I_n	250A
Rated voltage U_e	690V AC/440V DC
Rated Insulation Voltage U_i	1000V
Rated impulse withstand voltage U_{imp}	6 kV
Break capacity (with fuse link)	120kA(500VAC)/50kA(690VAC)/100kA(440VDC)
Fuse link size	1
Feature	3 pole, with protective cover
Type	Fixed Type
Reference standard	IEC 60269-2 GB/T 13539.2

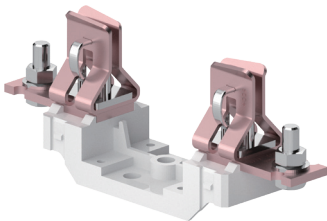
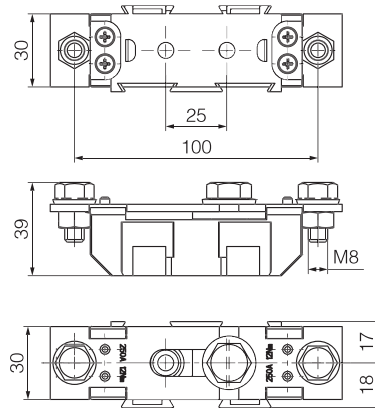


DNF1 Fuse Holder



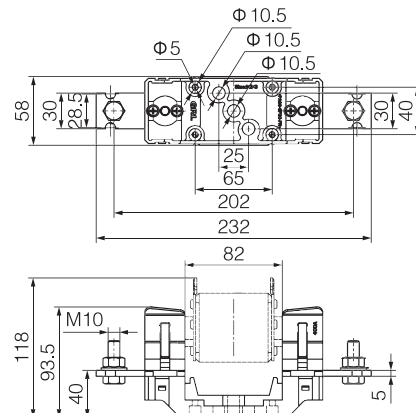
Order No.:DN56313
Model No.:DNF1-1

Rated current I_n	250A
Rated voltage U_n	690V AC/440V DC
Rated Insulation Voltage U_i	1000V
Rated impulse withstand voltage U_{imp}	6 kV
Feature	break type, without protective cover
Type	Fixed Type
Reference standard	IEC 60269-2 GB/T 13539.2

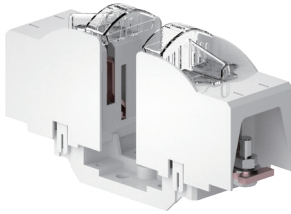


Order No.:DN56320
Model No.:DN56320

Rated current I_n	400A
Rated voltage U_n	690V AC/440V DC
Rated Insulation Voltage U_i	1000V
Rated impulse withstand voltage U_{imp}	6 kV
Break capacity (with fuse link)	120kA(500VAC)/50kA(690VAC)/100kA(440VDC)
Fuse link size	2
Feature	1 pole, without protective cover
Type	Fixed Type
Reference standard	IEC 60269-2 GB/T 13539.2

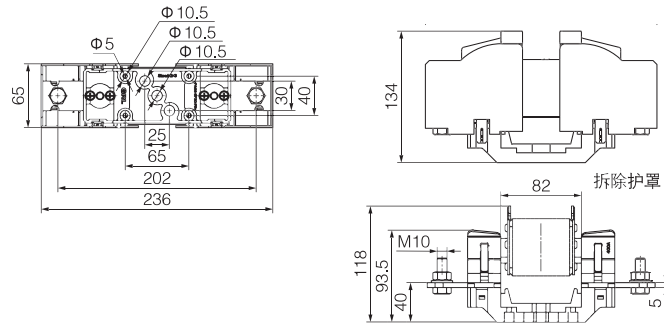


DNF1 Fuse Holder

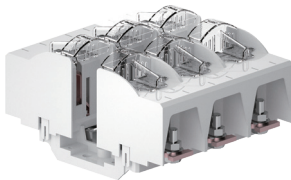


Order No.:DN56321
Model No.:DNF1-2

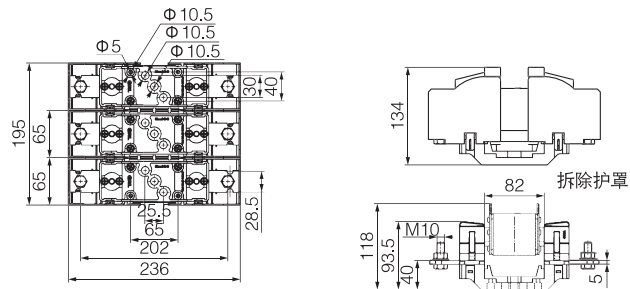
Rated current I_n	400A
Rated voltage U_n	690V AC/440V DC
Rated Insulation Voltage U_i	1000V
Rated impulse withstand voltage U_{imp}	6 kV
Break capacity (with fuse link)	120kA(500VAC)/50kA(690VAC)/100kA(440VDC)
Fuse link size	2
Feature	1 pole, with protective cover
Type	Fixed Type
Reference standard	IEC 60269-2 GB/T 13539.2



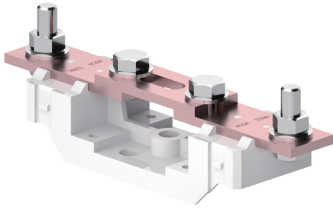
Order No.:DN56322
Model No.:DNF1-2



Rated current I_n	400A
Rated voltage U_e	690V AC/440V DC
Rated Insulation Voltage U_i	1000V
Rated impulse withstand voltage U_{imp}	6 kV
Fuse link size	2
Feature	3 pole, with protective cover
Type	Fixed Type
Reference standard	IEC 60269-2 GB/T 13539.2

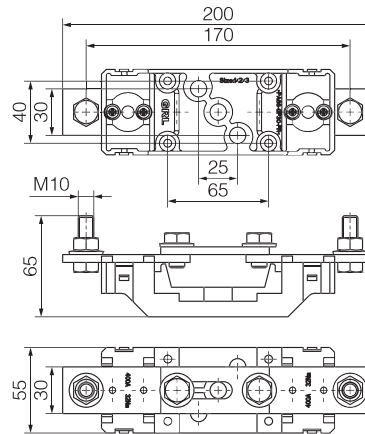


DNF1 Fuse Holder

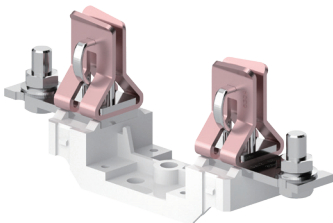


Order No.:DN56323
Model No.:DNF1-2

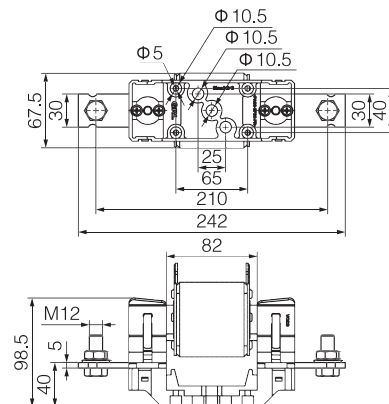
Rated current I_n	400A
Rated voltage U_n	690V AC/440V DC
Rated Insulation Voltage U_i	1000V
Rated impulse withstand voltage U_{imp}	6 kV
Feature	Feature neutral link,break type,without protective cover
Type	Fixed Type
Reference standard	IEC 60269-2 GB/T 13539.2



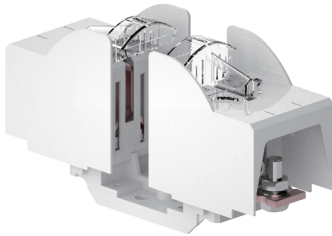
Order No.:DN56330
Model No.:DNF1-3



Rated current I_n	800A
Rated voltage U_n	690V AC/440V DC
Rated Insulation Voltage U_i	1000V
Rated impulse withstand voltage U_{imp}	6 kV
Fuse link size	3
Feature	1 pole, without protective cover
Type	Fixed Type
Reference standard	IEC 60269-2 GB/T 13539.2

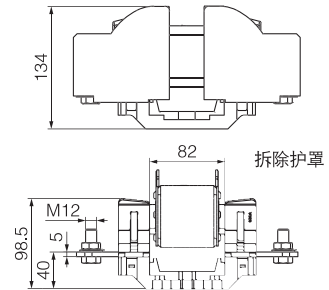
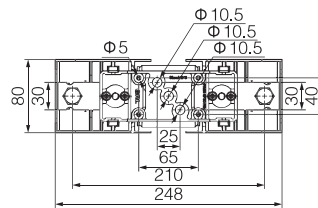


DNF1 Fuse Holder

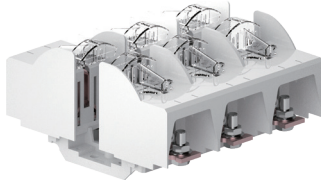


Order No.:DN56331
Model No.:DNF1-3

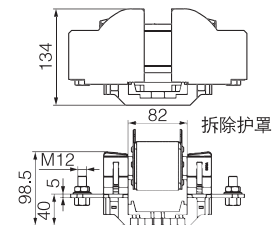
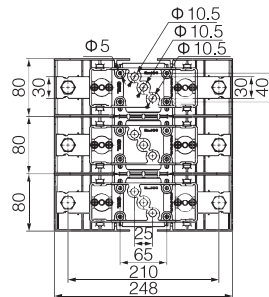
Rated current I_n	800A
Rated voltage U_e	690V AC/440V DC
Rated Insulation Voltage U_i	1000V
Rated impulse withstand voltage U_{imp}	6 kV
Break capacity (with fuse link)	120kA(500VAC)/50kA(690VAC)/ 100kA(440VDC)
Fuse link size	3
Feature	1 pole, with protective cover
Type	Fixed Type
Reference standard	IEC 60269-2 GB/T 13539.2



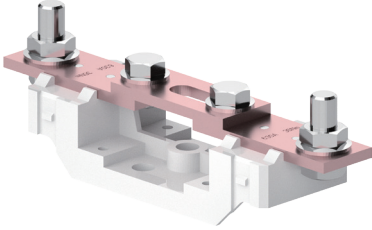
Order No.:DN56332
Model No.:DNF1-3



Rated current I_n	800A
Rated voltage U_e	690V AC/440V DC
Rated Insulation Voltage U_i	1000V
Rated impulse withstand voltage U_{imp}	6 kV
Break capacity (with fuse link)	120kA(500VAC)/50kA(690VAC)/ 100kA(440VDC)
Fuse link size	3
Feature	3 pole, with protective cover
Type	Fixed Type
Reference standard	IEC 60269-2 GB/T 13539.2



DNF1 Fuse Holder



Order No.:DN56333
Model No.:DNF1-3

Rated current I_n	630A
Rated voltage U_n	690V AC/440V DC
Rated Insulation Voltage U_i	1000V
Rated impulse withstand voltage U_{imp}	6 kV
Feature	break type,without protective cover
Type	Fixed Type
Reference standard	IEC 60269-2 GB/T 13539.2

