

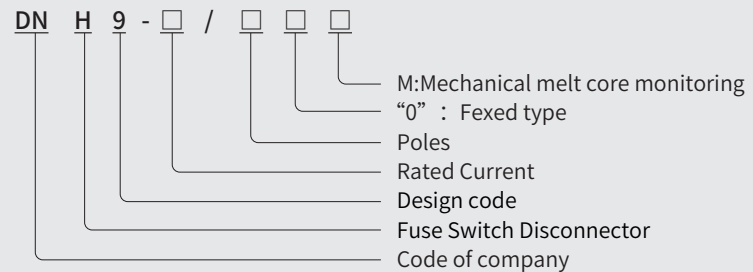
DNH9 FUSE SWITCH DISCONNECTOR



Application scope

Mainly used in distribution circuits and motor circuits with high short-circuit currents, as power switches, isolation switches, and application switches. Emergency switch and used for AC circuit protection. This switch is not suitable for directly opening and closing a single motor; Complies with national standard GB/T 14048.3 and international standard IEC/EN60947-3.

Model & Meaning



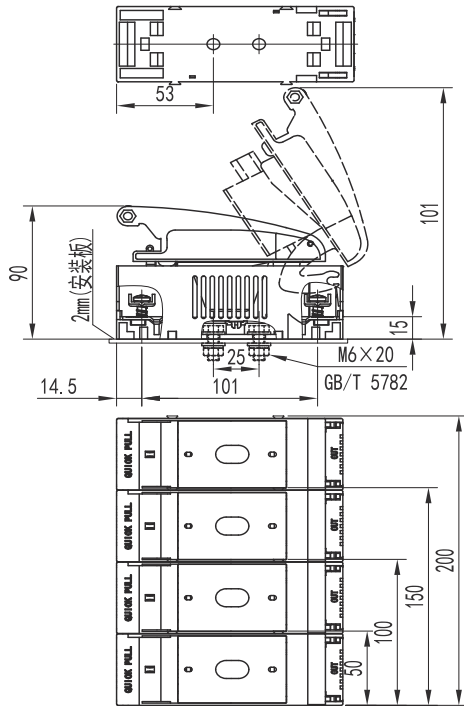
Working conditions

1. The ambient temperature range is $-25\text{ }^{\circ}\text{C}\sim+55\text{ }^{\circ}\text{C}$, and the average 24-hour value does not exceed $+35\text{ }^{\circ}\text{C}$. If the ambient temperature is lower than $-25\text{ }^{\circ}\text{C}$ or higher than $+55\text{ }^{\circ}\text{C}$, capacity reduction should be considered for use;
 2. Altitude: The installation site has an altitude not exceeding 2000m;
 3. When the maximum temperature is $+40\text{ }^{\circ}\text{C}$, the relative humidity of the air does not exceed 50%. Higher relative humidity can be allowed at lower temperatures, such as up to 90% at $+20\text{ }^{\circ}\text{C}$. Special measures should be taken for occasional condensation caused by temperature changes;
 4. Pollution level: Level 3;
 5. Installation category: III, IV;
 6. It should be installed in a place without significant shaking, impact vibration, and invasion of rain and snow. At the same time, the installation location should be free of explosive hazardous media, and there should be no gas or dust in the media that is sufficient to corrode metals and damage insulation;
 7. The switch should not bear additional mechanical stress, and external cables and busbars should be fixed through insulators, etc.
- Note: For special usage environments, please consult with the manufacturer.

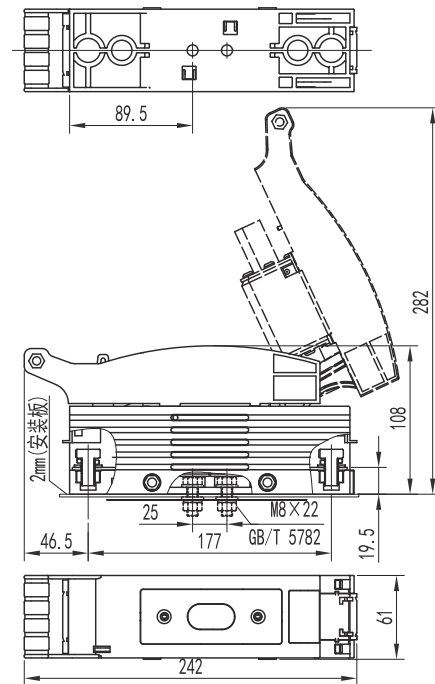
DNH9 FUSE SWITCH DISCONNECTOR

Dimensions (mm)

DNH9-160



DNH9-250/10



Parameters

Specifications		DNH9-160		DNH9-250		
Rated working voltage Ue	V	230V AC	415V AC	1000V DC	690V AC	
Rated working current Ie	A	160	160	250	250	
Agreed heating current Ith	V	160	160	250	250	
Rated limited short-circuit current (with fused core)	kA	100	100	30	100	
Usage category (with fused core)		AC-23B	AC-23B	DC-21B	AC-23B	
Rated insulation voltage Ui	V	1000	1000	1000	1000	
Rated impulse withstand voltage Uimp	kV	12	12	12	12	
Rated frequency	Hz	50/60	50/60	50/60	50/60	
Electrical lifespan (number of cycles of operation)	times	200	200	200	200	
Maximum torque	N.m	30	30	30	30	
Fuse	Executive standard: IEC60269-2/GB/T 13539.2	1	1	1	1	
	Rated working current In	A	160	160	250	200
	Power consumption Pn	W	23	23	≤ 32	
Usage conditions	Surrounding air temperature	-5°C ~+ 40°C				
	Altitude	≤ 2000m				
	Installation category and pollution level	III、IV				
	Transportation and storage	-25°C ~+ 55°C				